



LEG 85203

FIRE EXTINGUISHER STAND



Dimensions (mm): 1881x311x303

Weight (kg): 1.65

Logistic: 6 pieces disassembled in two carton boxes
30x31x96 cm and 85x75x1680 cm

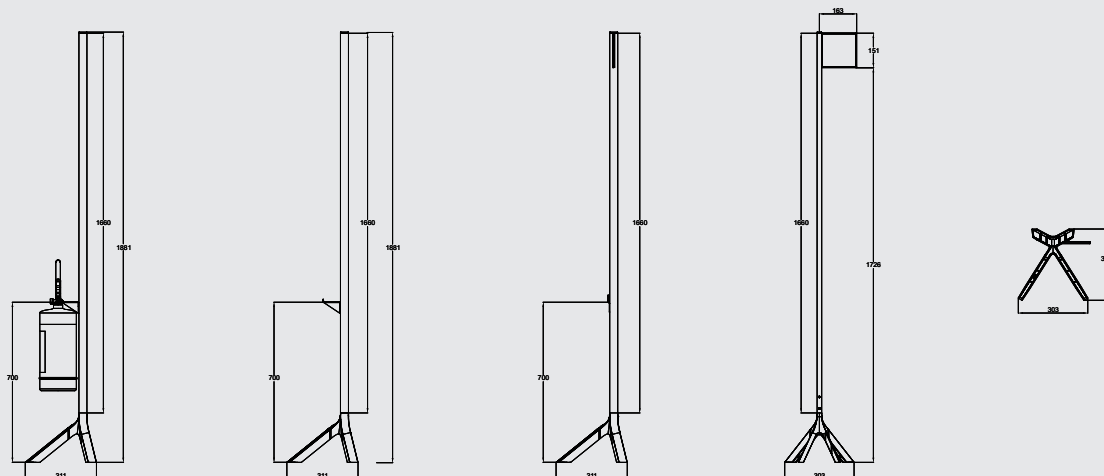
COMPONENTS

- Base, handle and extinguisher hook in nylon
- Aluminium beam (thickness 2 mm)
- Marking flag in polypropylene

TECHNICAL FEATURES

Material: nylon, aluminium

Production process: Injection Molding



PRODUCT FEATURES

- 1 Available with extinguisher hook for valve or cylinder
- 2 Customizable colours combination
- 3 Unique and attractive design
- 4 Intuitive and easy to assemble
- 5 Made in Italy

COLOURS AVAILABLE

